

RFC-101

RF Choke, DC - 50 MHz

Product Overview

The RFC-101 RF Choke is a 1:1 balun that eliminates 15dB of common mode current when connected to a 50Ω feedline to improve the performance of directional antennas. This reduces stray RF often found on the coax ground that can cause burns or other issues with electronic equipment in ham shacks or vehicles.

The RFC-101 helps eliminate the loss of power from the antenna, and keep signal strength at a maximum.

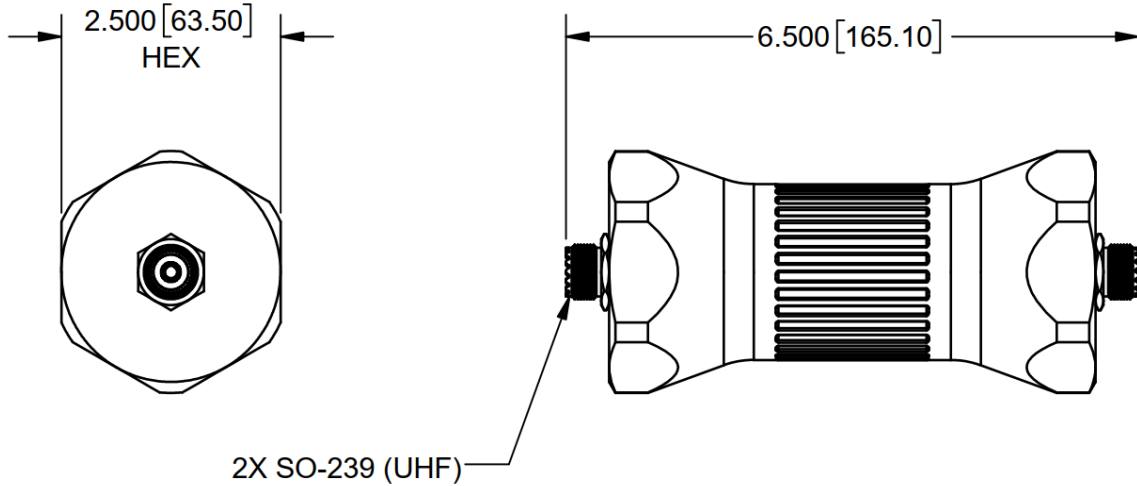


Description

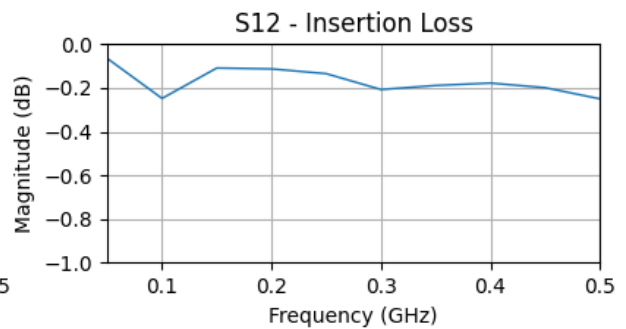
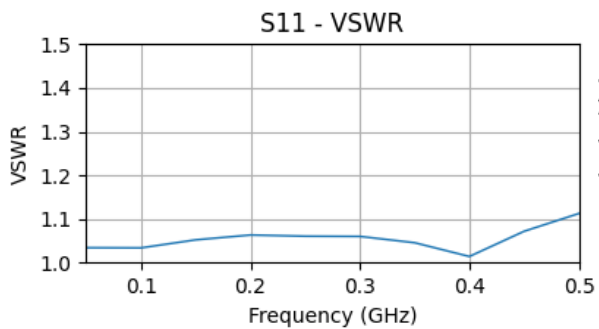
The RFC-101 features a 15" LMR-195 cable assembly terminated with two bulkhead mount SO-239 (UHF Female) connectors.

Manganese Zinc (MnZn) Spinel Ferrite beads surround the internal cable assembly mounted within the durable UV-resistant PETG outer housing.

Detail Specifications



Frequency Range	DC - 50 MHz
Common Mode Rejection	-15.0 dB DC - 50 MHz
Power Handling	500W Continuous, Sea Level, 100°F, 1:1 VSWR
VSWR	1.10:1 MAX DC - 50 MHz
Insertion Loss	-0.3 dB MAX DC - 50 MHz
Weight	~2 lbs



Notes

1. Install between transmitter and antenna feedline.
 - a. Use a short jumper to connect the transmitter to RFC-101.
2. Check all connections are secure.
3. Verify SWR of the antenna using <10W transmit power.